



**SEBO**  
*airbelt* **K3**

## Instruction Manual

**Pure Performance.**





**Thank you for choosing SEBO. We are sure that you will enjoy using your new SEBO vacuum cleaner. We listen to our customers and if you have any suggestions, please contact us at [www.sebo.co.uk](http://www.sebo.co.uk).**

**For optimum and safe operation of this product, please carefully read this instruction manual - including the safety and warning notes - before use.**

Please fill in your warranty card. The machine serial number can be found in the handle recess of the machine.

Developed and manufactured in Germany using the latest technology, your new SEBO is designed to give long life, excellent performance and ease of use. The powerful suction, light weight and high filtration technology set new performance standards. With three castor wheels, excellent furniture protection from its patented *air belt* shock absorber, professional attachments, an ergonomic handle, electronic power adjustment and a lightweight telescopic tube, the SEBO *air belt* K3 guarantees easy operation.

### Box contents

SEBO *air belt* K3 machine (incl. attachments), handle with hose, standard telescopic tube, and combination nozzle.

With a K3 premium you will also find an Electric Power Brush ET-H, an electric telescopic tube (instead of the standard tube), a parquet/hard floor brush and a dusting brush with clamp.

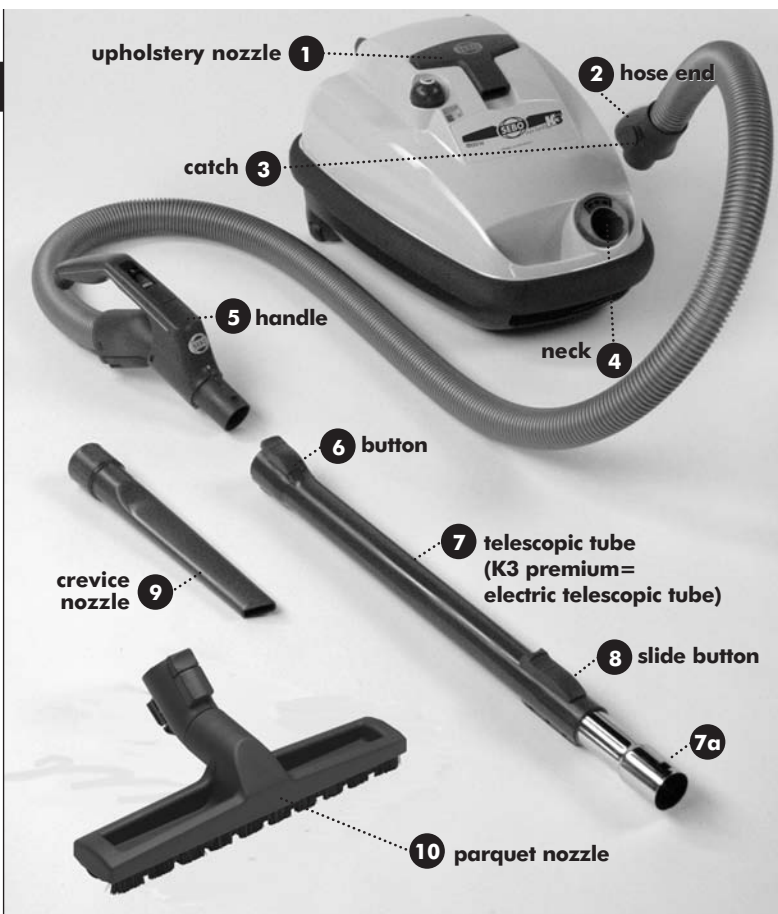
### Assembly

- Push the hose end (2) into the neck (4) until the catch (3) locks. It fits only in one position.

- Push the telescopic tube (7) onto the hose handle (5) until it clicks into place.

- Push the combination nozzle (11) onto the lower end of the telescopic tube (7a) until it clicks into place.

- Additional attachments (K3 premium) like the Electric Power Brush ET-H and parquet brush fit on in the same way. Please read the separate ET-H instruction manual before using the Electric Power Brush.



### Technical data:

**Motor:** 1800 W max./1500 W average  
**Suction:** 320 mbar  
**Air flow:** 61 l / sec.  
**Filterbag:** 3 litres

**Weight:** 5,5 kg  
**Sound:** 63 dbA  
**Length:** 410 mm  
**Width:** 328 mm  
**Height:** 240 mm

- The clamp for the dusting brush fits to the telescopic tube .

### Telescopic tube, combination nozzle and the attachments

- To adjust the height of the telescopic tube (7) use the slide button (8).

- The combination nozzle (11) can be adjusted for carpets (bristles in) or hard floors (bristles out) by using the pedal (10).

- The crevice nozzle (9) is located in the rear of the machine, opposite the plug recess. The crevice nozzle fits onto the hose handle (5) as well as onto the lower end of the telescopic tube (7a). The upholstery nozzle (1) is located on the top of the machine. To use, fit it to the end of the crevice nozzle.

### Operation

- **Use your SEBO vacuum cleaner only at the voltage stated on the type plate, which can be found in the handle recess of the machine.**

- To extend the cable (14), firmly grip the plug on the upper and lower sides and pull. Please do not try to pull the plug out by a pin. Ensure the whole cable is extracted before plugging in.

- To switch on, press down on the on/off power control knob (12).

- To adjust suction power, push the slider from O (standby mode) to max. in the handle (5).

- Push the control knob (12) again to switch off the machine after use. Pull the plug out of the socket. To retract the cable, pull on it near the plug recess and the mechanism will automatically rewind.

### Bag Light

- The orange bag light (13) indicates a blockage or a full filterbag.

- The light only works correctly at full power. At lower power levels, the bag light might indicate incorrectly. Check the status regularly at full power.

### Changing the filterbag

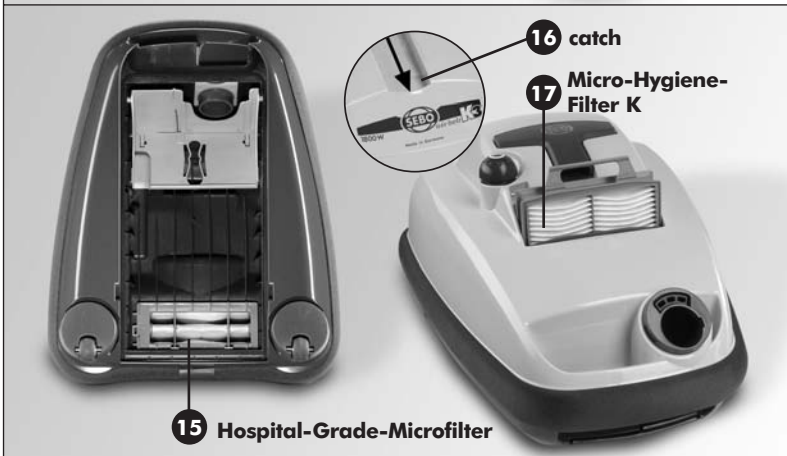
- The orange bag light (13) indicates a blockage or a full filterbag.

- Vacuuming fine dust may require an earlier change even though the filterbag is not full. Fluff may overfill the bag.

- To change the filterbag, put the machine upright and press the catch (22) to unlock the filterbag cover (19).

- Follow the diagrams printed on the filterbag to replace the filterbag.

- Please ensure that the filterbag top (23) is located properly on both sides of the holder (21) and



**Caution:**  
Always switch off and unplug the machine before changing filterbags, filters etc. The cable must only be changed by the manufacturer.

pushed in until it locks.

- The cover can only be closed with a properly attached filterbag.
- Used filter bags can be sealed with a cap, which is included in the SEBO Filterbox K (Art.-No. 6629 ER) and the SEBO Service Box K (Art.-No. 6695 ER).

### Hospital-Grade Microfilter and Micro-Hygiene Filter K

- Your SEBO *air belt* K3 has an S-CLASS filtration system. This filter system is ideal for people with allergies and asthma. Air flows through three high efficiency micro-filters - the Ultra-Filterbag, the Hospital-Grade-Microfilter (15) and the Micro-Hygiene-Filter K (17).

- We recommend changing both filters after using between 16 – 24 filterbags or if they have become very dirty (e.g. after vacuuming builders/DIY dust).

- The Hospital-Grade-Microfilter (Art.-No. 6191 ER) can be pulled-out once the filterbag cover has been removed by sliding it up and out of the two grooves.

- To replace the filterbag cover, slide it back into the two grooves. Please ensure that the bottom of the filterbag is placed into the filterbag holder before closing.

- The Micro-Hygiene Filter K can be changed by removing the printed cover on top of the machine. To

release the cover lift the catch (16) in the upholstery nozzle recess.

- Pull out the Micro-Hygiene Filter K using its handle and fit the new filter in the same position. The filter handle points towards the upholstery nozzle when it is folded down.

- Replace the cover and push it until it clicks into place.

### Clearing blockages

- Clear blockages in the hose by removing the hose from the neck while pushing the catch (3). The machine will turn on with full power. Fit the handle of the neck (4) and close the free end of the hose repeatedly with your hand to clear the blockage the wrong way around.

- Always ensure that the filters are not clogged.

- Never use a stick to clear the hose.

### Parking groove / Carrying groove

- If the vacuum cleaner is not be used, the telescopic tube with floor attachment can be parked in the Parking groove (24) beside the cable recess. For carrying the machine easily, the telescopic tube with floor attachment can be fitted into the Carrying groove (18) on the underside.



### The SEBO air belt

- Your new vacuum cleaner is fitted with the patented *air belt* shock absorber system, which protects your walls and furniture and eliminates exhaust air blast.

- The *air belt* (25) can easily be changed. Take the clip (28) off and remove the *air belt*. The foam part (26) stays on the machine. To fit the new *air belt*, slot the side rails into the grooves (27). Start at the back and proceed round the machine. Secure the ends with the clip (28).

### SEBO ET-H Electric power brush (comes with the K3 premium).

For professional carpet care results we recommend the SEBO ET-H. With its rotating swivel neck the SEBO ET-H is very easy to manoeuvre. Brush pressure can be adjusted to suit the floor covering for optimum cleaning performance and the brush cleans right to the edges.

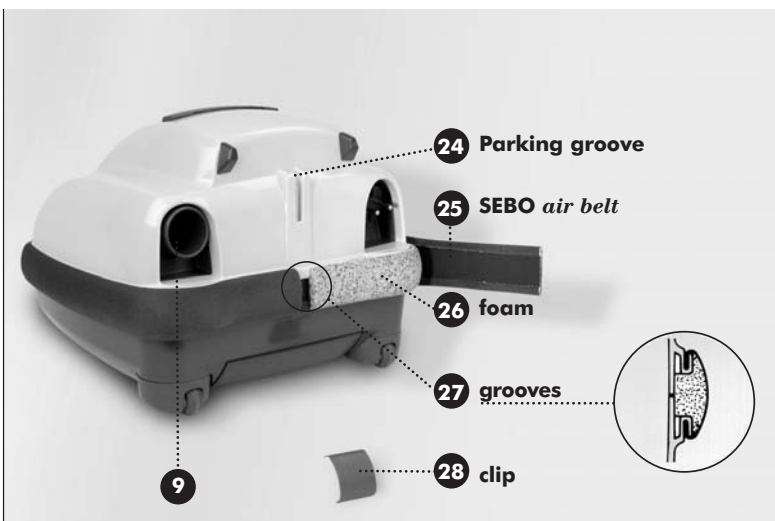
For more detailed information please read the separate instruction manual for the Electric Power Brush SEBO ET-H.

### Caution – Safety advice

**This is an electrical appliance. Disconnect from mains before changing bag or filters.**

- The cable must only be changed by the manufacturer.
- Only connect to mains outlets which correspond with the type plate in the handle recess.
- The hose and handle contain electrical parts. Do not immerse them in liquid or get them wet. Inspect the hose frequently for damage. Do not use a damaged hose.
- Children must be strictly supervised.
- Vacuum dry surfaces only.
- Do not expose to liquid or moisture.
- Do not vacuum hot material such as ash.
- Do not vacuum humans or animals.
- Do not wash filters.
- Do not re-use bags.
- Only use genuine SEBO replacement items.
- No user serviceable internal parts.
- Pull out cable fully for prolonged use.
- Do not handle a damaged cable.
- The warranty will be invalidated if the above advice is ignored. It is the user's responsibility to operate this appliance safely and carefully.

SEBO (UK) Ltd. HELPLINE  
8.30 am - 5.00 pm, Mon.-Fri.  
01494/46 55 33



### SEBO ET-H

Motor: 150 Watt  
Brush width: 30 cm  
Automatic height adjustment  
and adjustable brush pressure.

The required cable to fit the SEBO ET-H is integrated in the hose of your SEBO *air belt* K3 / K3 premium.

**Caution:**  
Never operate the machine without an *air belt*. The filters must not be washed.



**SEBO**  
*airbelt* **K3**

06731E-03.2005

SEBO (UK) Ltd.  
High Wycombe  
Bucks HP12 3QL

Tel.: 01494 / 465533  
Fax.: 01494 / 461044  
[www.sebo.co.uk](http://www.sebo.co.uk)



Made in Germany